

**U
N**

Mechanical Flange Adapters & Couplings

I

F

I

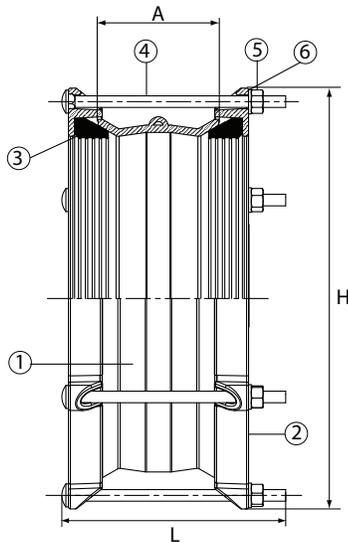
T



Wide Range Coupling

Material List

1. Middle Ring Ductile Iron ASTM A536
Grade 65-45-12
2. End Ring Ductile Iron ASTM A536
Grade 65-45-12
3. Gasket EPDM
4. Bolt Zinc Plated Steel
5. Nut Zinc Plated Steel
6. Washer Zinc Plated Steel
7. Coating Fusion Bonded Epoxy
Coated to 200 Microns



Series 4200



Part Number	Nominal Size mm/inches	P/N	OD Range mm/inches	L - Bolt Length	No. of Bolts	H mm/inches	A Sleeve Length	Est. Shipping Weight kgs./lbs.
4200-020	DN40	16	48-60	M12 x 200	2	148	100	3.0
	1.5	250	1.89-2.36	1/2 x 7.8		5.83	4	6.5
4200-025	DN50	16	59-72	M12 x 200	2	166	100	4.0
	2	250	2.32-2.84	1/2 x 7.8		6.47	4	8.0
4200-030	DN65	16	72-85	M12 x 200	2	180	100	4.5
	2.5	250	2.84-3.35	1/2 x 7.8		7.08	4	10.0
4200-035	DN80	16	88-103	M12 x 225	4	203	125	6.5
	3	250	3.46-4.06	1/2 x 8.8		7.99	5	14.0
4200-040	DN100	16	109-128	M12 x 225	4	228	125	6.5
	4	250	4.29-5.04	1/2 x 9		8.98	5	14.0
4200-045	DN125/150	16	132-146	M12 x 225	4	244	125	7.0
	5/6	250	5.20-5.75	1/2 x 9		9.61	5	15.0
4200-050	DN125/150	16	138-153	M12 x 225	4	251	125	7.0
	5/6	250	5.43-6.02	1/2 x 9		9.88	5	15.0
4200-055	DN150	16	159-182	M12 x 225	4	277	125	8.5
	6	250	6.26-7.16	1/2 x 9		10.91	5	19.0
4200-060	DN200	16	192-210	M12 x 225	6	310	125	11.5
	8	250	7.60-8.26	1/2 x 9		12.20	5	25.0
4200-065	DN200	16	218-235	M12 x 225	6	340	125	11.5
	8	250	8.58-9.25	1/2 x 9		13.39	5	25.0
4200-070	DN200	16	230-247	M12 x 225	6	347	125	12.0
	8	250	9.06-9.72	1/2 x 9		13.66	5	26.0
4200-075	DN250	16	250-267	M12 x 225	6	371	125	15.0
	10	250	9.84-10.51	1/2 x 9		14.61	5	33.0
4200-080	DN250	16	272-289	M12 x 225	6	395	125	18.0
	10	250	10.70-11.38	1/2 x 9		15.55	5	40.0
4200-085	DN300	16	315-332	M12 x 225	8	438	125	19.0
	12	250	12.40-13.07	1/2 x 9		17.24	5	42.00
4200-090	DN300	16	322-339	M12 x 225	8	442	125	21.0
	12	250	12.68-13.35	1/2 x 9		17.40	5	45.0
4200-095	DN300	16	332-349	M12 x 225	8	453	125	23.0
	12	250	13.07-13.74	1/2 x 9		17.83	5	50.0
4200-100	DN350	16	374-391	M16 x 320	8	508	200	36.0
	14	250	14.72-15.39	5/8 x 12.5		20.00	8	78.0
4200-110	DN400	16	418-435	M16 x 320	8	551	200	40.0
	16	250	16.45-17.12	5/8 x 12.5		21.69	8	86.0
4200-120	DN450	16	476-493	M16 x 320	10	622	200	53.00
	18	250	18.74-19.41	5/8 x 12.5		24.49	8	116.0
4200-130	DN500	16	527-544	M16 x 320	10	672	200	60.0
	20	250	20.75-21.42	5/8 x 12.5		26.46	8	132.0
4200-140	DN600	16	630-647	M16 x 320	10	776	200	72.00
	24	250	24.80-25.47	5/8 x 12.5		30.55	8	158.0

Wide Range Adapter

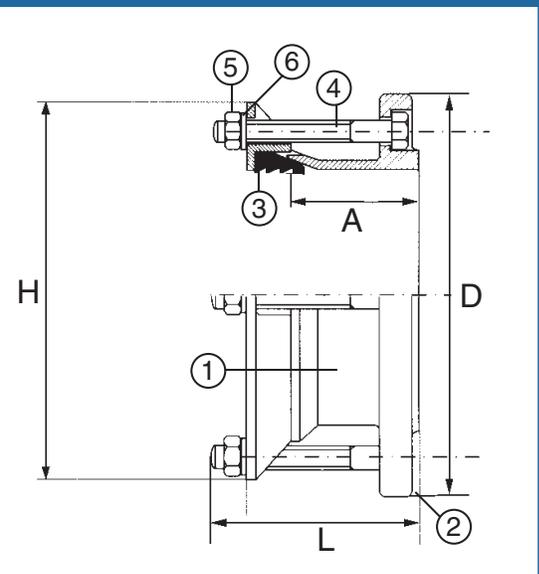


Material List

1. Body Ductile Iron ASTM A536 Grade 65-45-12
2. End Ring Ductile Iron ASTM A536 Grade 65-45-12
3. Gasket EPDM
4. Bolt Zinc Plated Steel
5. Nut Zinc Plated Steel
6. Washer Zinc Plated Steel
7. Coating Fushion Bonded Epoxy Coated to 200 Microns

Part Number	Nominal Size mm/ inches	Flange Drilling	OD Range mm/ inches	L - Bolt Length	No. of Bolts	D mm/ inches	H mm/ inches	A Sleeve Length	Est. Shipping Weight kgs./lbs.
4428-025	DN50 2	PN 10/16 ANSI 125/150	59 - 72 2.32-2.84	M12 x 135 1/2 x 5.3	2	165 6.44	166 6.47	75 3	3.5 7.5
4428-030	DN65 2.5	PN 10/16 ANSI 125/150	72 - 85 2.84-3.35	M12 x 135 1/2 x 5.3	2	185 7.22	180 7.02	75 3	4.5 9.5
4428-035	DN80 3	PN 10/16 ANSI 125/150	88 - 103 3.46-4.06	M12 x 135 1/2 x 5.3	4	200 7.80	203 7.33	75 3	5.5 11.5
4428-040	DN100 4	PN 10/16 ANSI 125/150	109 - 128 4.29-5.04	M12 x 135 1/2 x 5.3	4	229 9.02	228 8.98	75 3	6.0 13.0
4428-045	DN125/150 5/6	PN 10/16 ANSI 125/150	132 - 146 5.20-5.75	M12 x 135 1/2 x 5.3	4	279.4 11.00	244 9.61	75 3	7.5 16.00
4428-050	DN125/150 5/6	PN 10/16 ANSI 125/150	138 -153 5.43-6.02	M12 x 135 1/2 x 5.3	4	279.4 11.00	252 9.83	75 3	7.5 16.00
4428-055	DN150 6	PN 10/16 ANSI 125/150	159 -182 6.26-7.16	M12 x 155 1/2 x 6.1	4	279.4 11.00	277 10.91	75 3	8.5 18.0
4428-060	DN200 8	PN 10/16 ANSI 125/150	192-210 7.60-8.26	M12 x 155 1/2 x 6.1	4	340 13.26	310 12.20	75 3	11.0 24.0
4428-065	DN200 8	PN 10/16 ANSI 125/150	218 - 235 8.58-9.25	M12 x 155 1/2 x 6.1	4	340 13.26	341 13.43	75 3	11.5 24.5
4428-075	DN250 10	PN 10/16 ANSI 125/150	250-267 9.84-10.51	M12 x 155 1/2 x 6.1	6	406.4 16.00	371 14.60	75 3	14.5 31.0
4428-080	DN250 10	PN 10/16 ANSI 125/150	272 - 289 10.70-11.38	M12 x 155 1/2 x 6.1	6	406.4 16.00	395 15.55	90 3 1/2	15.0 32.0
4428-085	DN300 12	PN 10/16 ANSI 125/150	315-332 12.40-13.07	M12 x 155 1/2 x 6.1	6	482.6 19.00	438 17.24	90 3 1/2	20.0 43.0
4428-090	DN300 12	PN 10/16 ANSI 125/150	322 - 339 12.68-13.35	M12 x 155 1/2 x 6.1	6	482.6 19.00	442 17.40	100 4	20.5 45.0
4428-095	DN300 12	PN 10/16 ANSI 125/150	332-349 13.07-13.74	M12 x 155 1/2 x 6.1	6	482.6 19.00	453 17.83	90 3 1/2	21.5 47.0
4428-100	DN350 14	PN 10/16 ANSI 125/250	374-391 14.72-15.39	M16 x 200 5/8 x 7.98	8	520 20.47	508 20.00	130 5	28.0 64.0
4428-110	DN400 16	PN 10/16 ANSI 125/150	418-435 16.45-17.12	M16 x 200 5/8 x 7.98	8	580 23.29	552 21.73	130 5	35.0 77.0
4428-120	DN450 18	PN 10/16 ANSI 125/150	476-493 18.74-19.41	M16 x 200 1/2 x 7.98	10	636 25.04	622 24.49	130 5	41.0 90.0
4428-130	DN500 20	PN 10/16 ANSI 125/150	527-544 20.75-21.42	M16 x 220 5/8 x 8.66	10	710 27.95	672.5 26.48	150 6	54.0 119.0
4428-140	DN600 24	PN 10/16 ANSI 125/150	630-647 24.80-25.47	M16 x 220 5/8 x 8.66	10	835 32.88	776.6 30.57	150 6	71.0 154.0

Note: Can mate with ANSI 125/150, or metric PN10/16 flange.



UNITED
Water
Products

U

n

i

F

i

t

UNITED WATER PRODUCTS

2113 West 30th Street, Jacksonville, Florida 32209

Website: www.unitedwaterproducts.com