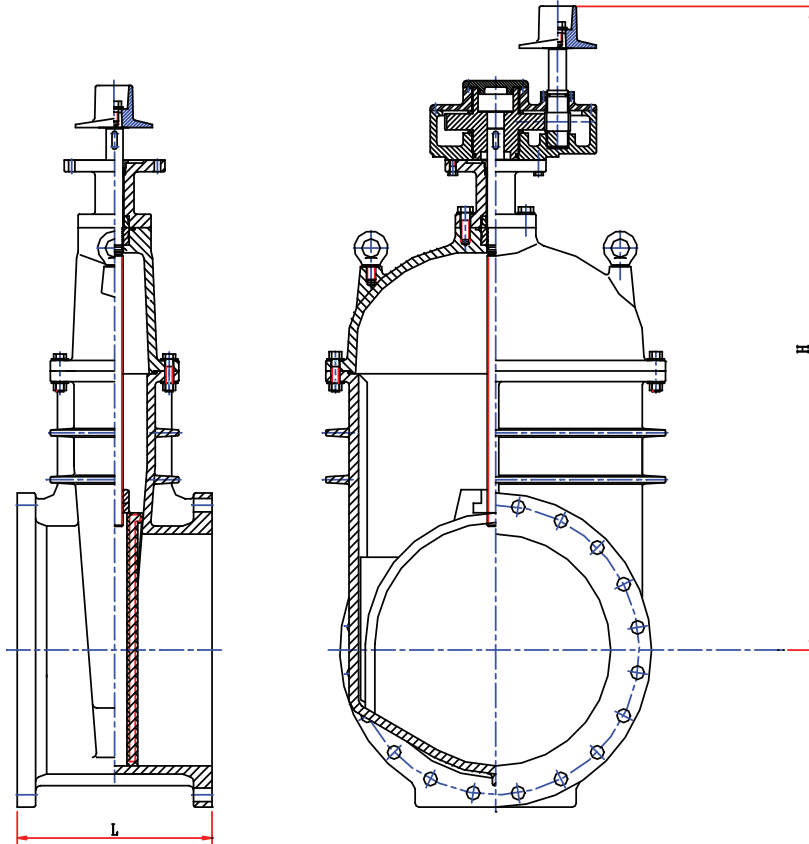


AWWA C515

Resilient Seat GATE VALVES

Model 2010-S

Non Rising Stem w/Spur Gear Operator



Available:

MJ x MJ
Flange x Flange

Description:

1. Conforms to AWWA C515
2. MJ dimensions conform to AWWA C153.
Flange dimensions conform to ANSI/
AWWA C110/A21.10.
4. Fusion Bond Epoxy Coated Interior
and Exterior, AWWA C550. Epoxy
Powder Certified to NSF-61.
5. Working Pressure:
14"~18" - 250 psi
20"~24" - 200 psi
6. Working Temperature: -40°F - +250°F
7. Optional By-Pass Valve

DIMENSIONAL DATA

Nominal Size	Part No.	Part No.	L	H	No., of Turns
14"	2010-S-MM-240	2010-S-FF-240	15"	34"	176
16"	2010-S-MM-260	2010-S-FF-260	16"	40.25"	200
18"	2010-S-MM-280	2010-S-FF-280	17"	44"	224
20"	2010-S-MM-300	2010-S-FF-300	18"	52"	248
24"	2010-S-MM-340	2010-S-FF-340	20"	58"	292

MATERIAL LIST

DESCRIPTION	MATERIAL	ASTM SPECIFICATION
Body	Ductile Iron	ASTM A536 65-45-12
Rubber Wedge	Ductile Iron w/EPDM Encapsulated	ASTM A536 65-45-12
Stem Nut	Bronze	ASTM C95200
Stem	Stainless Steel	AISI 420
Gasket	EPDM	-
Bolts & Nuts	Stainless Steel, 304 or 316	-
Bonnet	Ductile Iron	ASTM A536 65-45-12
O-Ring	EPDM	-
Thrust Collar	Bronze	ASTM C95200
Yoke	Ductile Iron	ASTM A536 65-45-12
Spur Gear	Ductile Iron	ASTM A536 65-45-12
Elbow	Ductile Iron	ASTM A536 65-45-12
By-Pass Valve	Ductile Iron	ASTM A536 65-45-12
Operating Nut	Ductile Iron	ASTM A536 65-45-12

Dimensions in inches

Design, dimensions and materials are subject to change without notice.



United Water Products
2113 W. 30th Street - P.O. Box 12010, Jacksonville, FL 32209
TEL. 877-766-4459 FAX: 877-766-4458
Website: www.unitedwaterproducts.com

0912